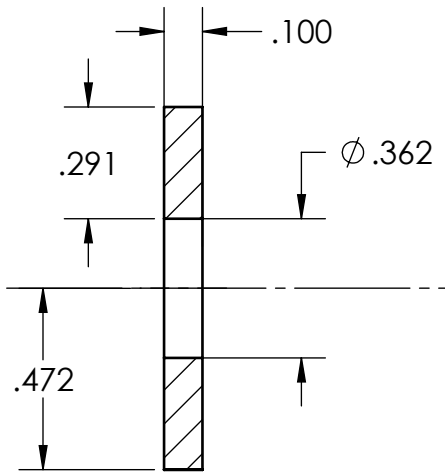
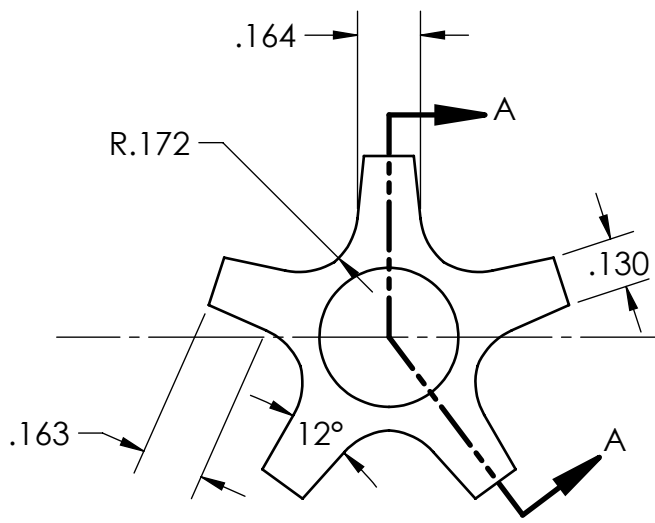


THE INFORMATION CONTAINED IN THIS DRAWING IS THE SOLE PROPERTY OF NC STATE UNIVERSITY. ANY REPRODUCTION IN PART OR WHOLE WITHOUT THE WRITTEN PERMISSION OF NC STATE UNIVERSITY IS PROHIBITED.
 FILE: Sprocket_005-B



SECTION A-A

NORTH CAROLINA STATE UNIVERSITY
 P.O. BOX 7801
 Raleigh, North Carolina

UNLESS OTHERWISE SPECIFIED
 DIMENSIONS ARE IN INCHES
 TOLERANCES ARE:
 FRACTIONS DECIMALS ANGLES
 + .XX+ .XX + 1
 .XXX+.XXX

DRAWN
RYAN LYNCH
 MATERIAL

DATE
2/12/18
 SCALE
1:1

TITLE CHAINSAW SPROCKET		#
SIZE A	PRT. NO. 13	1